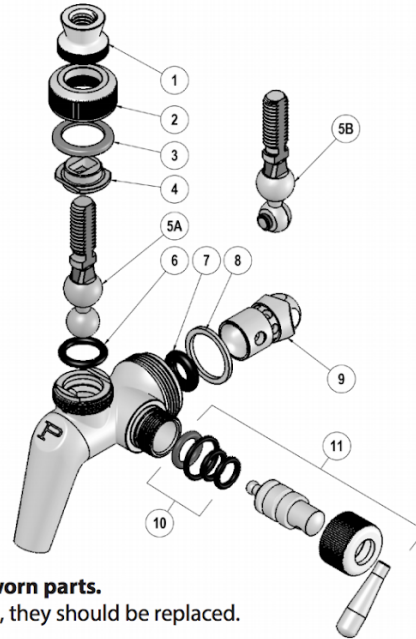




8.2 Service procedures

8.2.1 Perlick beer tap 650SS

Faucet Replacement Parts					
Item	630	680	650	690	Description
1	67829-1	67829-1	67829-1	67829-1	Handle Jacket, Chrome
	67829-1TF	67829-1TF	N/A	N/A	Handle Jacket, Tarnish Free
2	67820-1	67820-1	67820-1	67820-1	Compression Bonnet, Chrome
	67820-1TF	67820-1TF	N/A	N/A	Compression Bonnet, Tarnish Free
3	67828-1	67828-1	67828-1	67828-1	O-Ring, Compression
4	67819-2	67819-2	67819-2	67819-2	Bearing Cup
5A	68726	N/A	68626-1	N/A	Handle Lever
5B	N/A	68810	N/A	68810	Handle Lever, Push Back Creamer
6	67830-1	67830-1	67830-1	67830-1	O-Ring, Pivot Ball
7	67933-1	67933-1	67933-1	67933-1	O-Ring, Front Seat
8	308-3-2P	308-3-2P	308-3-2P	308-3-2P	Coupling Gasket
9	N/A	N/A	68206-1	68206-1	Flow Control: Compensator
10	N/A	N/A	67989SK	67989SK	Flow Control: Seal Kit
11	N/A	N/A	67989LK	67989LK	Flow Control: Lever & Seal Kit



Follow these instructions if you need to take the faucet apart to replace worn parts.

Note: Anytime the Front Seat (I), O-ring (H) or Coupling Gasket(s) are removed, they should be replaced. Always use OEM replacement parts.

TO DISASSEMBLE:

1. If faucet is USED, soak faucet in warm cleaning solution for 1-2 minutes to free up bonnet and handle jacket. If the faucet is NEW, submerge the faucet in warm water for 5 seconds.
2. Unscrew and remove **Jacket (1)**.
3. Unscrew and remove **Compression Bonnet (2)**.
4. Remove **Coupling Gasket (8)** only if cut or worn.
5. To remove the **Handle Lever Assembly (5A or 5B)**, lift it upward and push back.
6. To remove **Front Seat (7)** use a small screwdriver from the bonnet end of the faucet.
7. To remove **O-ring (6)** use a small screwdriver from the bonnet end of the faucet.
8. Inspect O-rings for wear or damage and replace as necessary.
9. To remove flow control lever, unscrew cap and pull out.
10. Remove flow control compensator from rear of faucet.

TO ASSEMBLE:

1. Re-install **O-ring (6)** into O-ring groove from bonnet end (use a small blunt screwdriver).
2. Re-install front **Seat (7)** into O-ring groove (use a small blunt screwdriver). **Note:** Seat must move freely in seat groove.
3. Re-install **Handle Lever Assembly (5A or 5B)**.
4. Re-install **Bearing Cup (4)**.
5. Re-install **Bonnet Washer (3)** into **Compression Bonnet (2)**.
6. Re-install **Compression Bonnet (2)**. Tighten by hand only. Do not use any tool, as this can damage the faucet.
7. Re-install **Handle Jacket (1)**.
8. Re-install **Coupling Gasket (8)** if removed.
9. Install flow control compensator into rear of faucet and orientate so level engagement hole is facing lever insertion hole.
10. Install flow control lever, ensure pin on end of lever is aligned with compensator engagement hole and tighten cap.



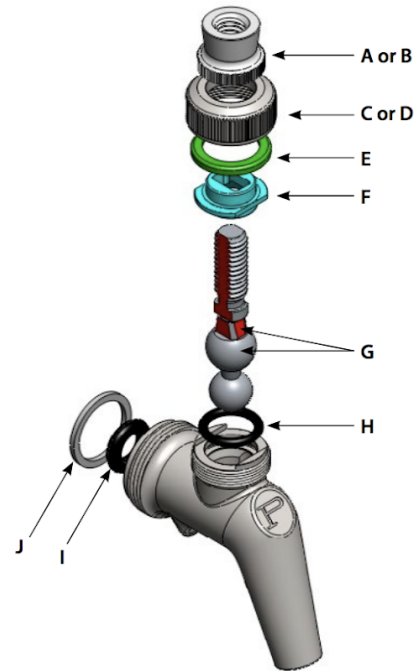
Troubleshooting

Symptom	Possible Cause (see back for Parts diagram)	Possible Solution
Faucet drips or leaks from the spout	<ul style="list-style-type: none">• Front Seat (7) is damaged or worn• Handle Lever (5A or 5B) is damaged• Bearing Cup (4) is not installed properly• Bonnet is loose	<ul style="list-style-type: none">• Replace Front Seat• Replace Handle Lever• Reinstall Bearing Cup• Tighten Bonnet
Faucet leaks from flow control lever	<ul style="list-style-type: none">• Worn or damaged seal• Loose cap	<ul style="list-style-type: none">• Replace seals• Tighten cap
Faucet leaks from bonnet	<ul style="list-style-type: none">• O-ring (6) is not installed properly in O-ring groove• O-ring (6) may be damaged	<ul style="list-style-type: none">• Replace O-ring
Flow control handle lever does not change flow rate	<ul style="list-style-type: none">• Handle lever orientation incorrect	<ul style="list-style-type: none">• Install faucet onto shank with handle lever orientated to front of faucet (towards spout)
Faucet leaks at the shank	<ul style="list-style-type: none">• Faucet not connected tightly• Bad Coupling Gasket (8)	<ul style="list-style-type: none">• Tighten Coupling Nut• Replace Coupling Gasket
Beer pours in a semi-circular shape	<ul style="list-style-type: none">• CO2 may be low or turned off	<ul style="list-style-type: none">• Check and adjust CO2 pressure
Faucet cannot be removed from shank	<ul style="list-style-type: none">• May not have been removed recently	<ul style="list-style-type: none">• Pour hot water on the Coupling Nut on the shank to loosen it



8.2.2 Perlick beer tap 630SS

Item #	Description	Replacement Part No.
A	Polished Chrome Handle Jacket	67829-1
B	Tarnish Free Handle Jacket	67829-1TF
C	Polished Chrome Compression Bonnet	67820-1
D	Tarnish-Free Compression Bonnet	67820-1TF
E	Bonnet Washer	67828-1
F	Bearing Cup	67819-1
G	Handle Lever Assembly	68726
H	O-ring	67830-1
I	Front Seat	67933-1
J	Coupling Gasket	308-3-2P



Follow these instructions if you need to take the faucet apart to replace worn parts. Note: Anytime the Front Seat (I), O-ring (H) or Coupling Gasket(s) are removed, they should be replaced. Always use OEM replacement parts.

TO DISASSEMBLE:

1. If faucet is USED, soak faucet in warm cleaning solution for 1-2 minutes to free up bonnet and handle jacket. If the faucet is NEW, submerge the faucet in warm water for 5 seconds.
2. Unscrew and remove **Jacket (A or B)**.
3. Unscrew and remove **Compression Bonnet (C or D)**.
4. Remove **Coupling Gasket (J)** only if cut or worn.
5. To remove the **Handle Lever Assembly (G)**, lift it upward and push back.
6. To remove **Front Seat (I)** use a small screwdriver from the bonnet end of the faucet.
7. To remove **O-ring (H)** use a small screwdriver from the bonnet end of the faucet.
8. Inspect O-rings for wear or damage and replace as necessary.

TO ASSEMBLE:

1. Re-install **O-ring (H)** into O-ring groove from bonnet end (use a small blunt screwdriver).
2. Re-install front **Seat (I)** into O-ring groove (use a small blunt screwdriver). **Note:** Seat must move freely in seat groove.
3. Re-install **Handle Lever Assembly (G)**.
4. Re-install **Bearing Cup (F)**.
5. Re-install **Bonnet Washer (E)** into **Compression Bonnet (C or D)**.
6. Re-install **Compression Bonnet (C or D)**. Tighten by hand only. Do not use any tool, as this can damage the faucet.
7. Re-install **Handle Jacket (A or B)**.
8. Re-install **Coupling Gasket (J)** if removed.



Troubleshooting

Symptom	Possible Cause (see back for Parts diagram)	Possible Solution
Faucet drips or leaks from the spout	<ul style="list-style-type: none">• Front Seat (I) is damaged or worn• Handle Lever (G) is damaged• Bearing Cup (F) is not installed properly• Bonnet is loose	<ul style="list-style-type: none">• Replace Front Seat• Replace Handle Lever• Reinstall Bearing Cup• Tighten Bonnet
Faucet leaks from bonnet	<ul style="list-style-type: none">• O-ring (H) is not installed properly in O-ring groove• O-ring (H) may be damaged	<ul style="list-style-type: none">• Replace O-ring
Faucet leaks at the shank	<ul style="list-style-type: none">• Faucet not connected tightly• Bad Coupling Gasket (J)	<ul style="list-style-type: none">• Tighten Coupling Nut• Replace Coupling Gasket
Beer pours in a semi-circular shape	<ul style="list-style-type: none">• CO2 may be low or turned off	<ul style="list-style-type: none">• Check and adjust CO2 pressure
Faucet cannot be removed from shank	<ul style="list-style-type: none">• May not have been removed recently	<ul style="list-style-type: none">• Pour hot water on the Coupling Nut on the shank to loosen it



8.2.3 Universal beer tap



Step 1: remove coupler nut and shank (use of a C-spanner is recommended)



Step 2: loosen and remove handle lever assembly by rotating bonnet nut anti-clockwise. Pull lever away from tap.



Step 3: Push piston through the body of the tap so that it can be removed from the threaded entrance into the tap.



Step 4: Remove shaft o ring from piston and main dome seal & replace



Step 5: Remove real coupler seal for tap shank from threaded end of tap.



Pacificool

Beverage Dispensing Equipment



Standard replacement. seals requiring



Re-assembly :
Step 6: Push in piston into tap body.



Line up slotted hole as shown in picture



Step 7: Install white nylon friction with depression facing downwards. Install black friction gasket on top and screw bonnet nut clockwise. Tap should move fluidly with light pressure. Firm but free movement.



Step 8: Replace coupler gasket and fit shank. Fit coupler nut and gently tighten with C-spanner. Replace shank O-ring.